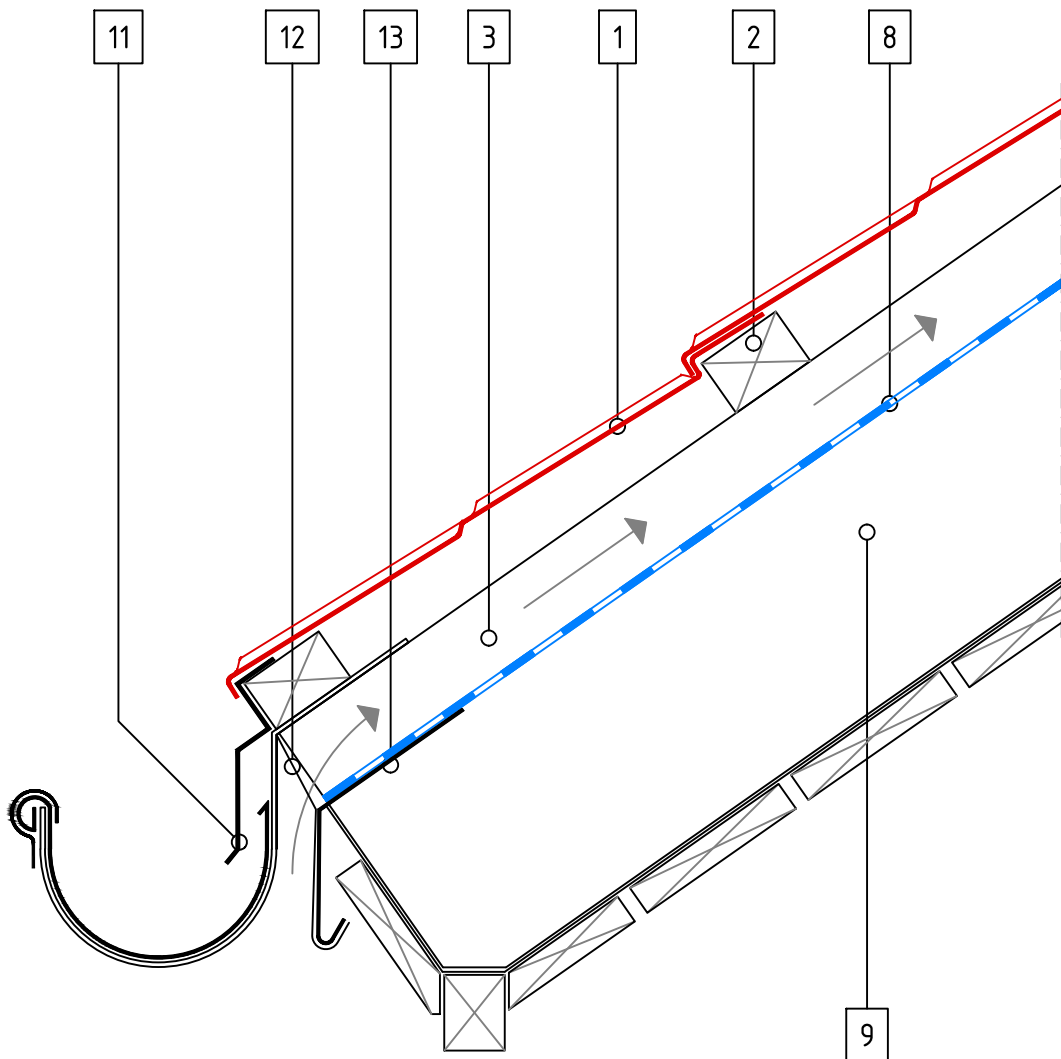


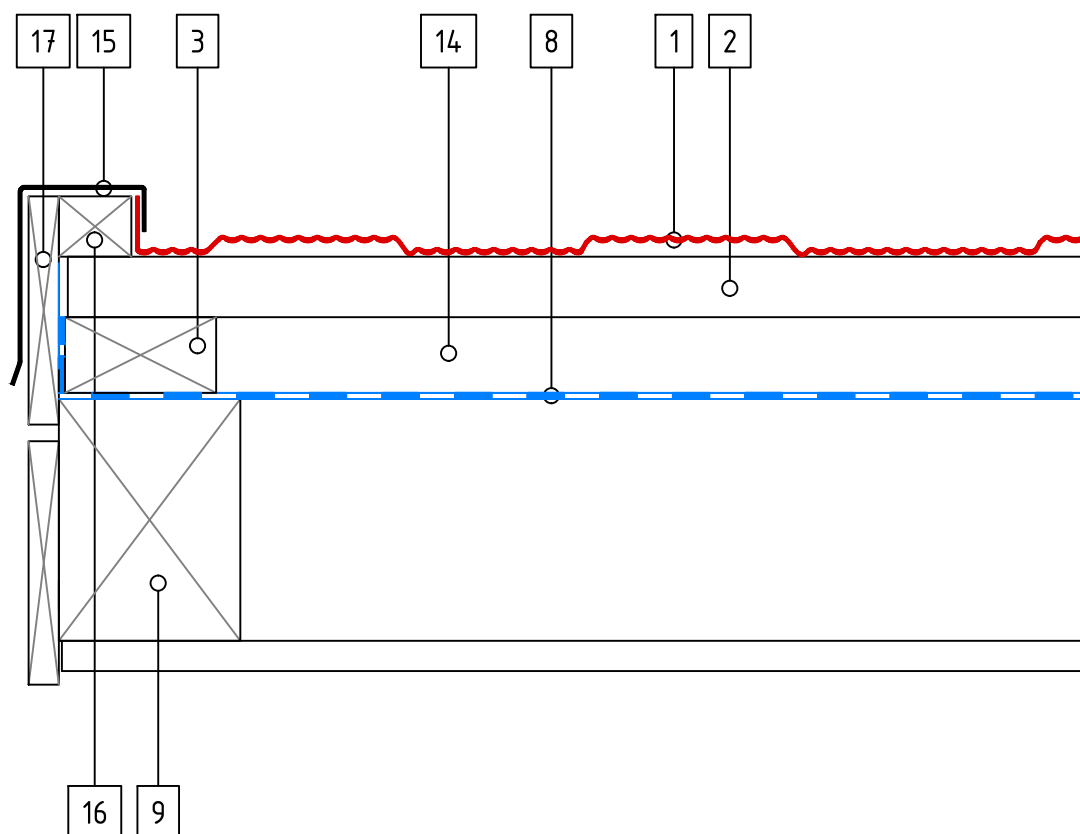
SENATOR SHINGLE TILE – Eaves Flashing

GERARD



SCALE 1:5

- 1 Tile
- 2 Tile Batten
- 3 Ventilation Space Batten
- 8 Underlay
- 9 Rafter
- 11 Eaves Flashing
- 12 Mesh
- 13 Eaves Guard Flashing

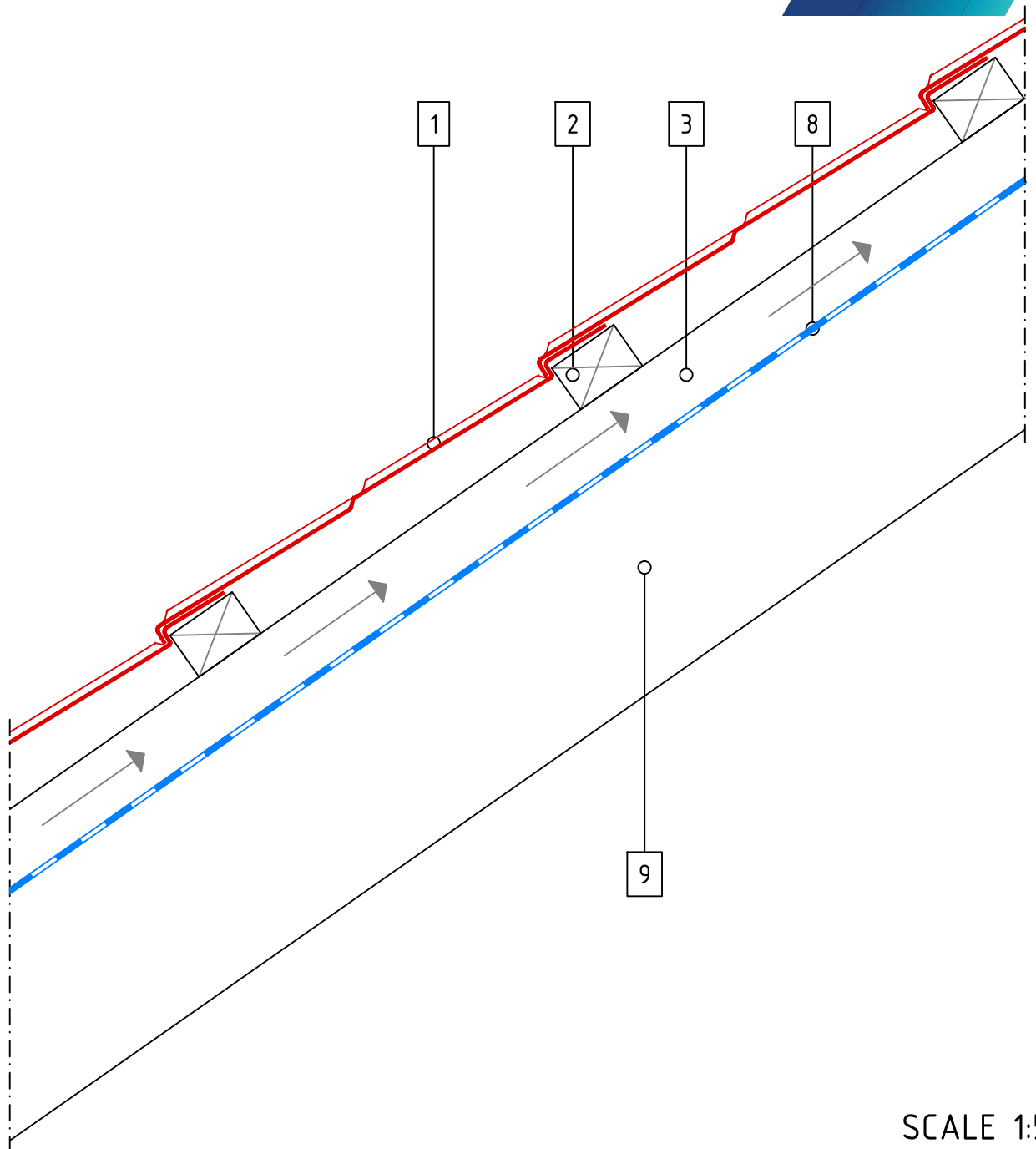


SCALE 1:5

- 1 Tile
- 2 Tile Batten
- 3 Ventilation Space Batten
- 8 Underlay
- 9 Rafter
- 14 Ventilation Space
- 15 Box Barge
- 16 Gable Batten
- 17 Barge Board

SENATOR SHINGLE TILE –Basic Principle L

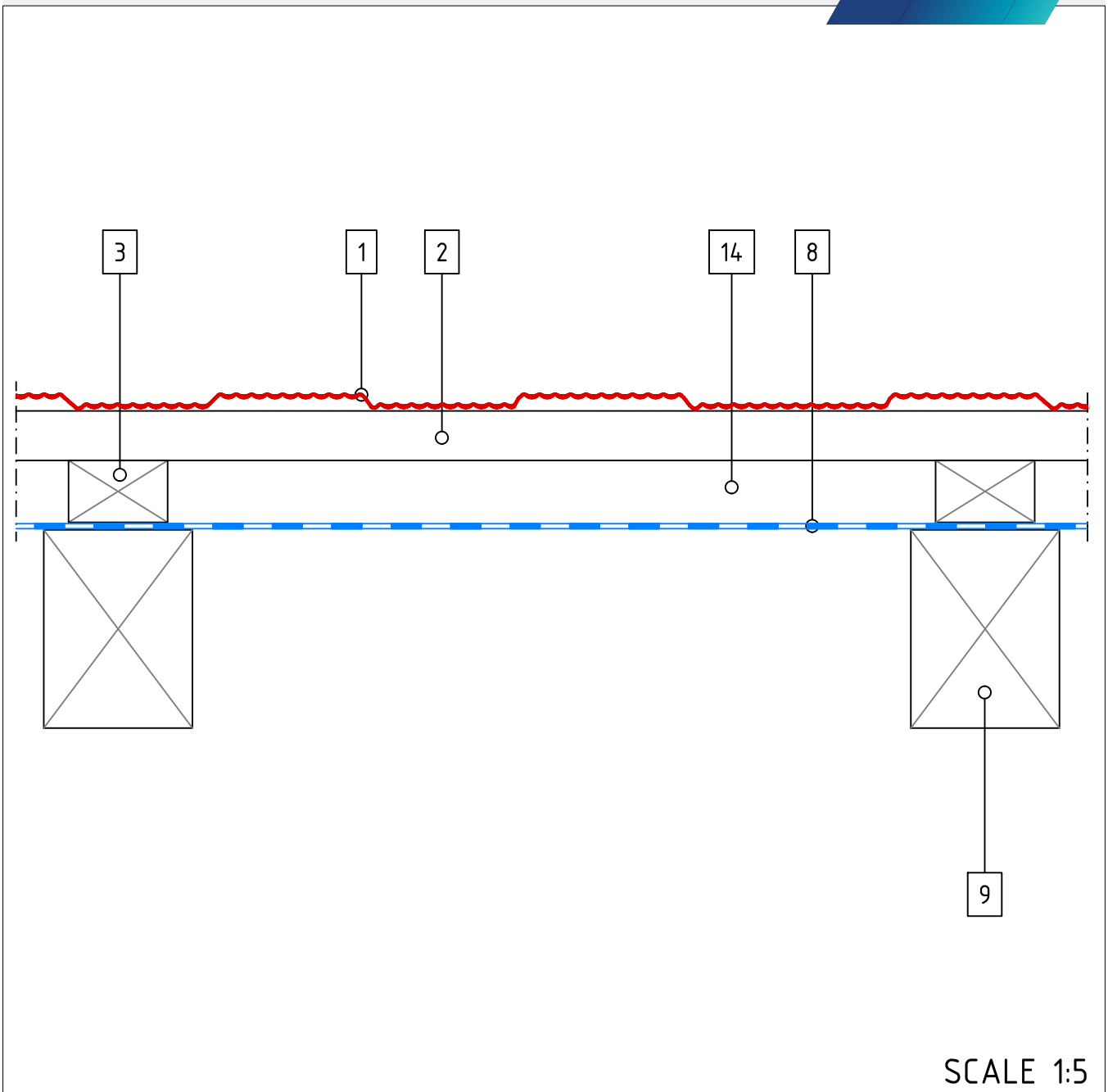
GERARD



SCALE 1:5

- 1 Tile
- 2 Tile Batten
- 3 Ventilation Space Batten
- 8 Underlay
- 9 Rafter

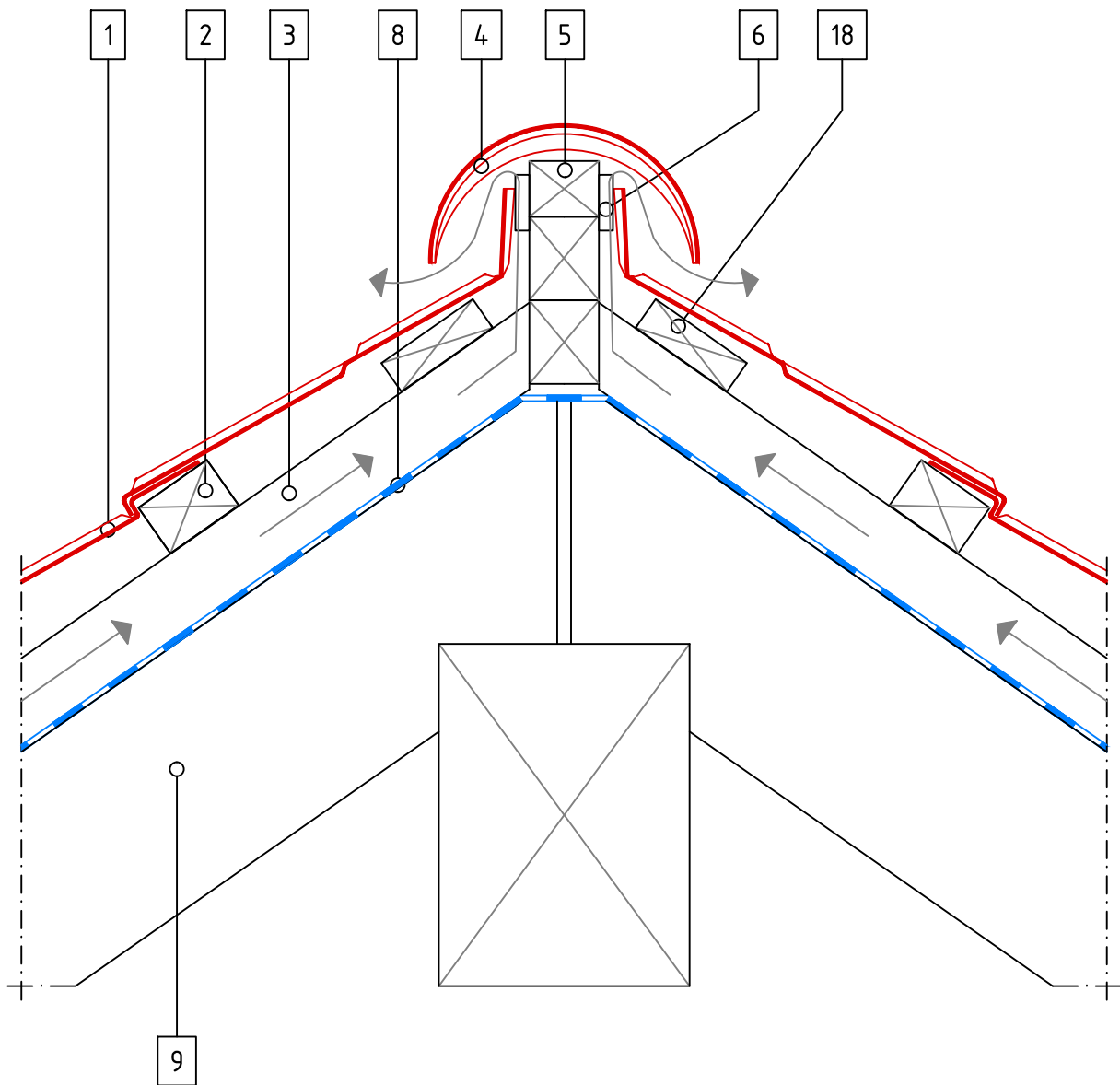
SENATOR SHINGLE TILE –Basic Principle C



- 1 Tile
- 2 Tile Batten
- 3 Ventilation Space Batten
- 8 Underlay
- 9 Rafter
- 14 Ventilation Space

SENATOR SHINGLE TILE – Ridge 1

GERARD

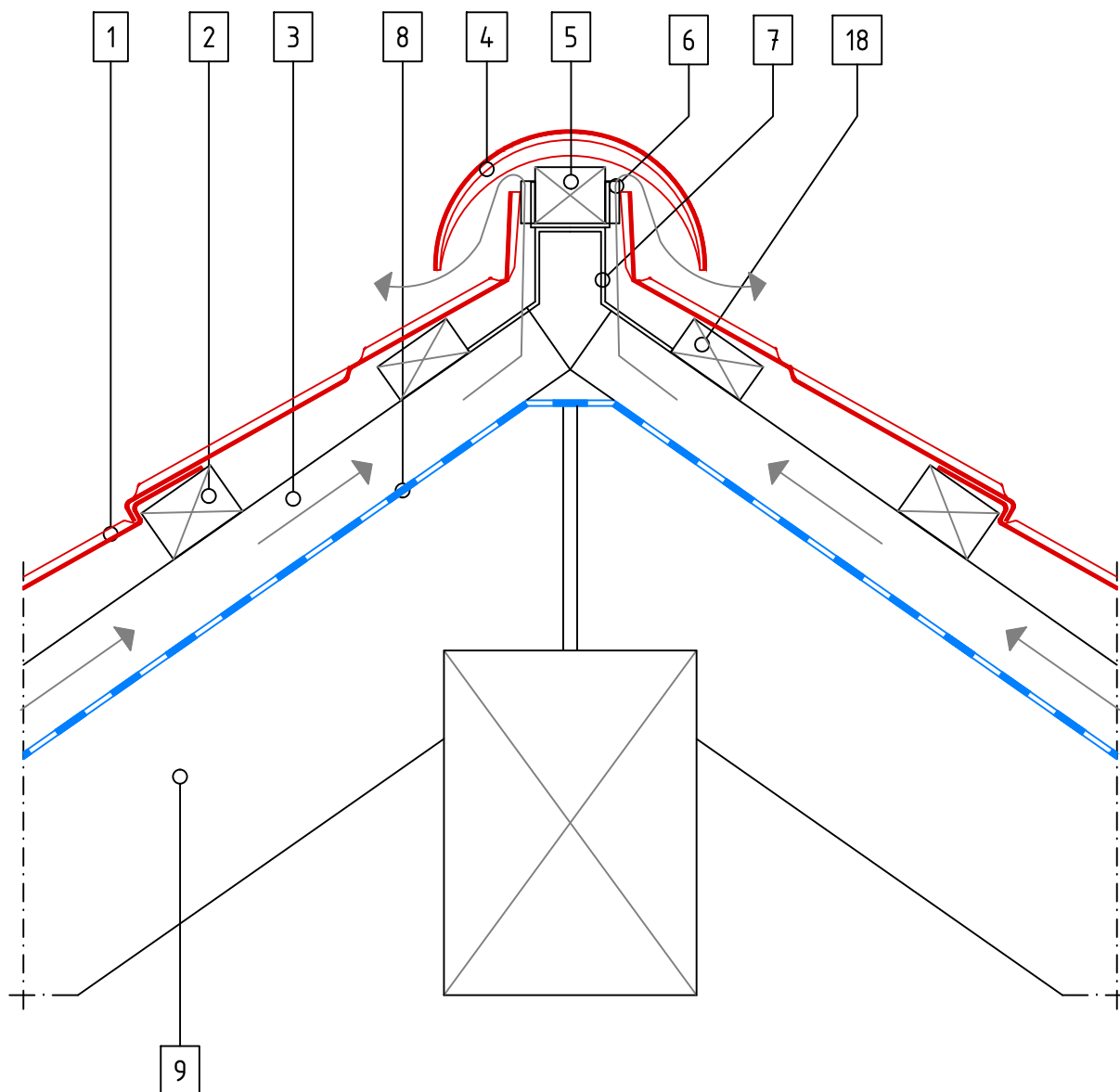


SCALE 1:5

- 1 Tile
- 2 Tile Batten
- 3 Ventilation Space Batten
- 4 Barrel
- 5 Ridge Batten
- 6 Spacer
- 8 Underlay
- 9 Rafter
- 18 Thinner Support Batten

SENATOR SHINGLE TILE – Ridge 2

GERARD

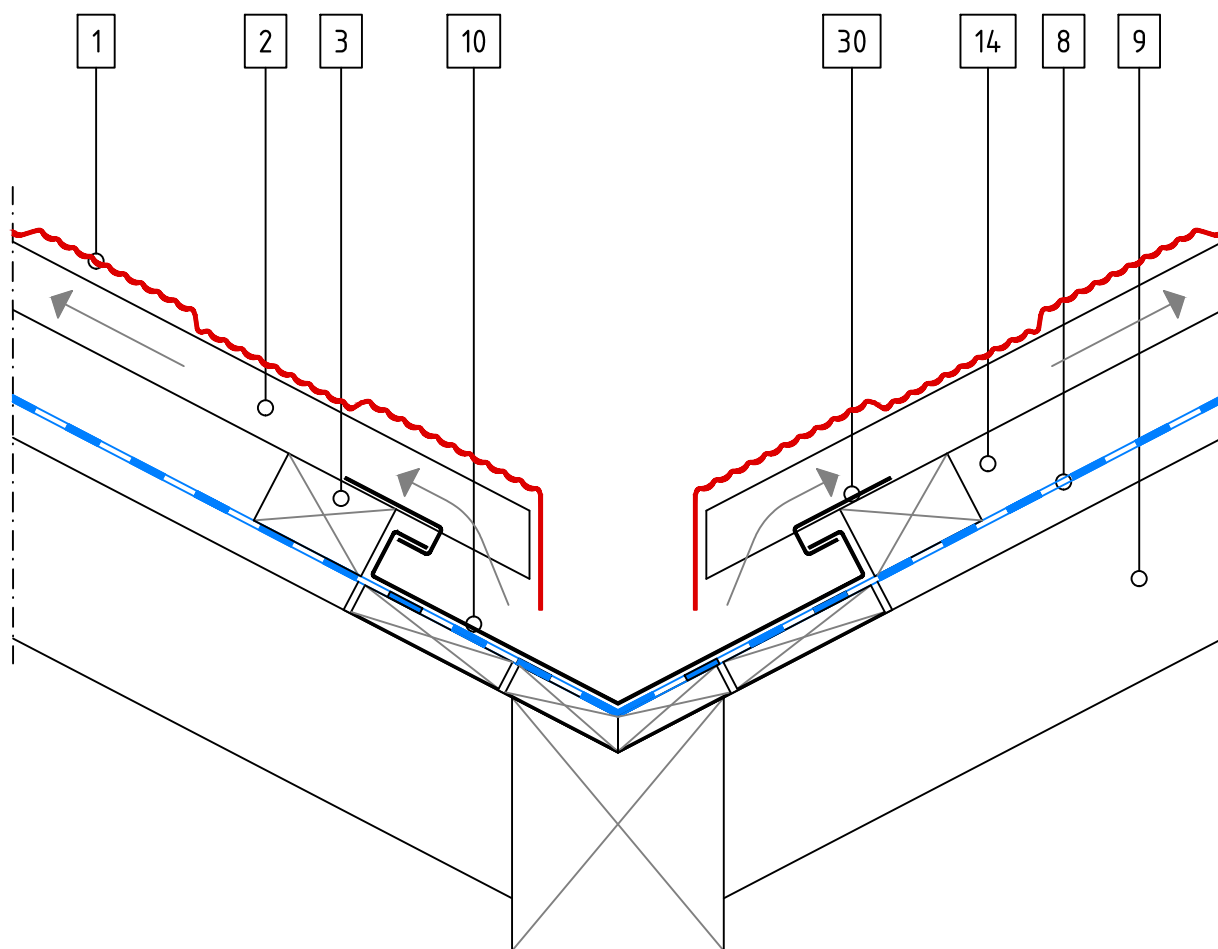


SCALE 1:5

- 1 Tile
- 2 Tile Batten
- 3 Ventilation Space Batten
- 4 Batten
- 5 Ridge Batten
- 6 Spacer
- 7 Ridge Bracket
- 8 Underlay
- 9 Rafter
- 18 Thinner Support Batten

SENATOR SHINGLE TILE – Valley 1

GERARD

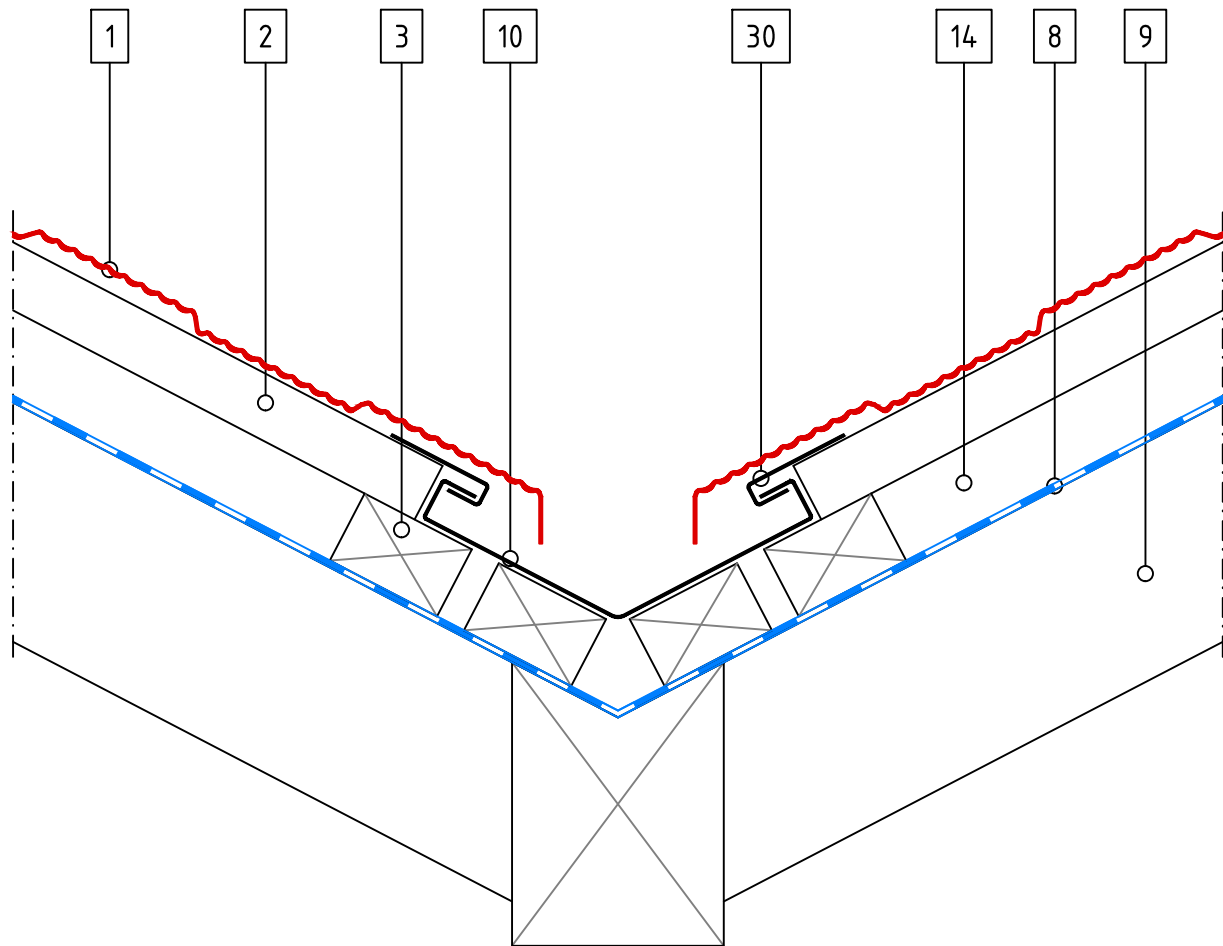


SCALE 1:5

- 1 Tile
- 2 Tile Batten
- 3 Ventilation Space Batten
- 8 Underlay
- 9 Rafter
- 10 Valley
- 14 Ventilation Space
- 30 Clip

SENATOR SHINGLE TILE – Valley 2

GERARD

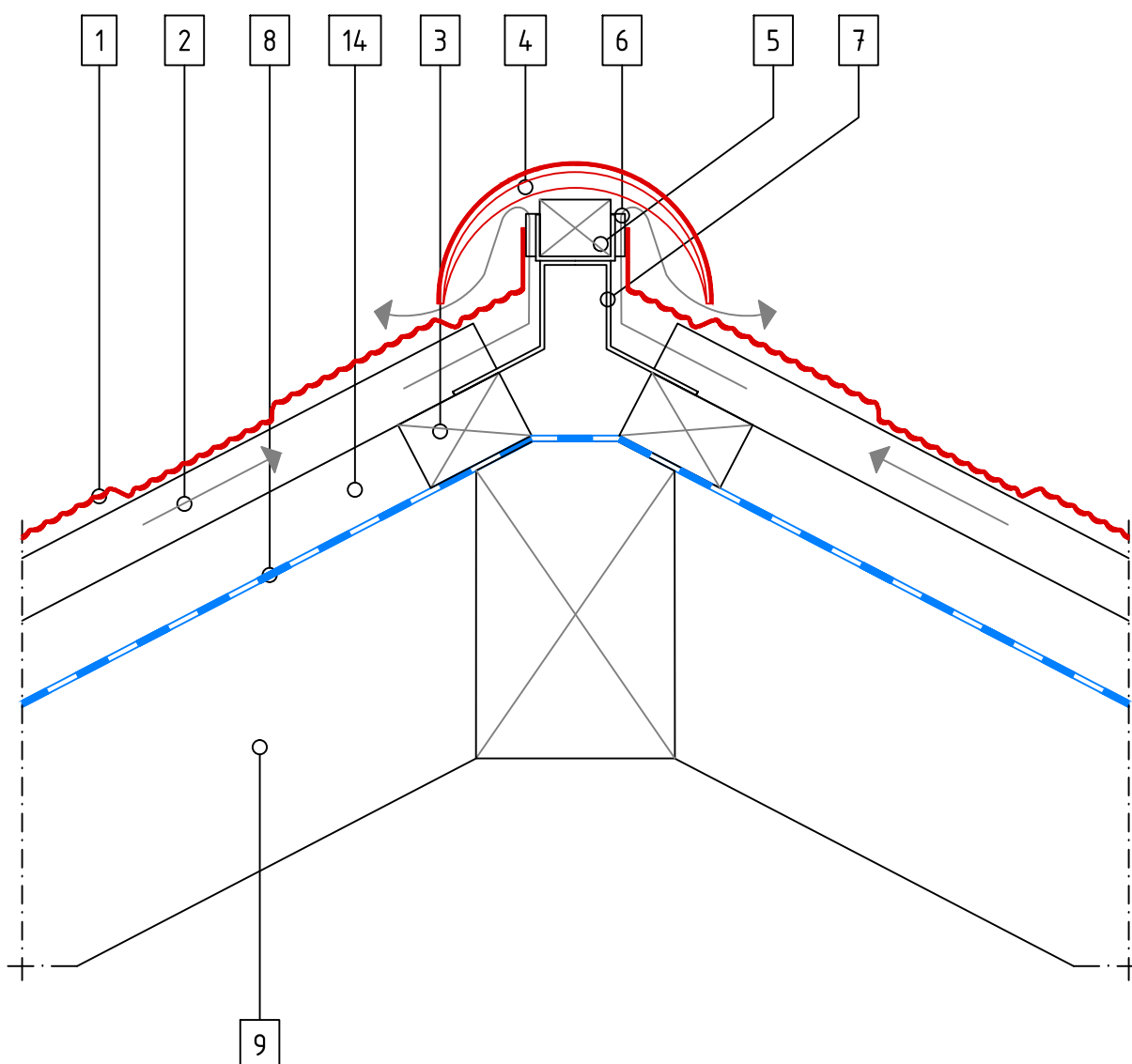


SCALE 1:5

- 1 Tile
- 2 Tile Batten
- 3 Ventilation Space Batten
- 8 Underlay
- 9 Rafter
- 10 Valley
- 14 Ventilation Space
- 30 Clip

SENATOR SHINGLE TILE – Hip

GERARD

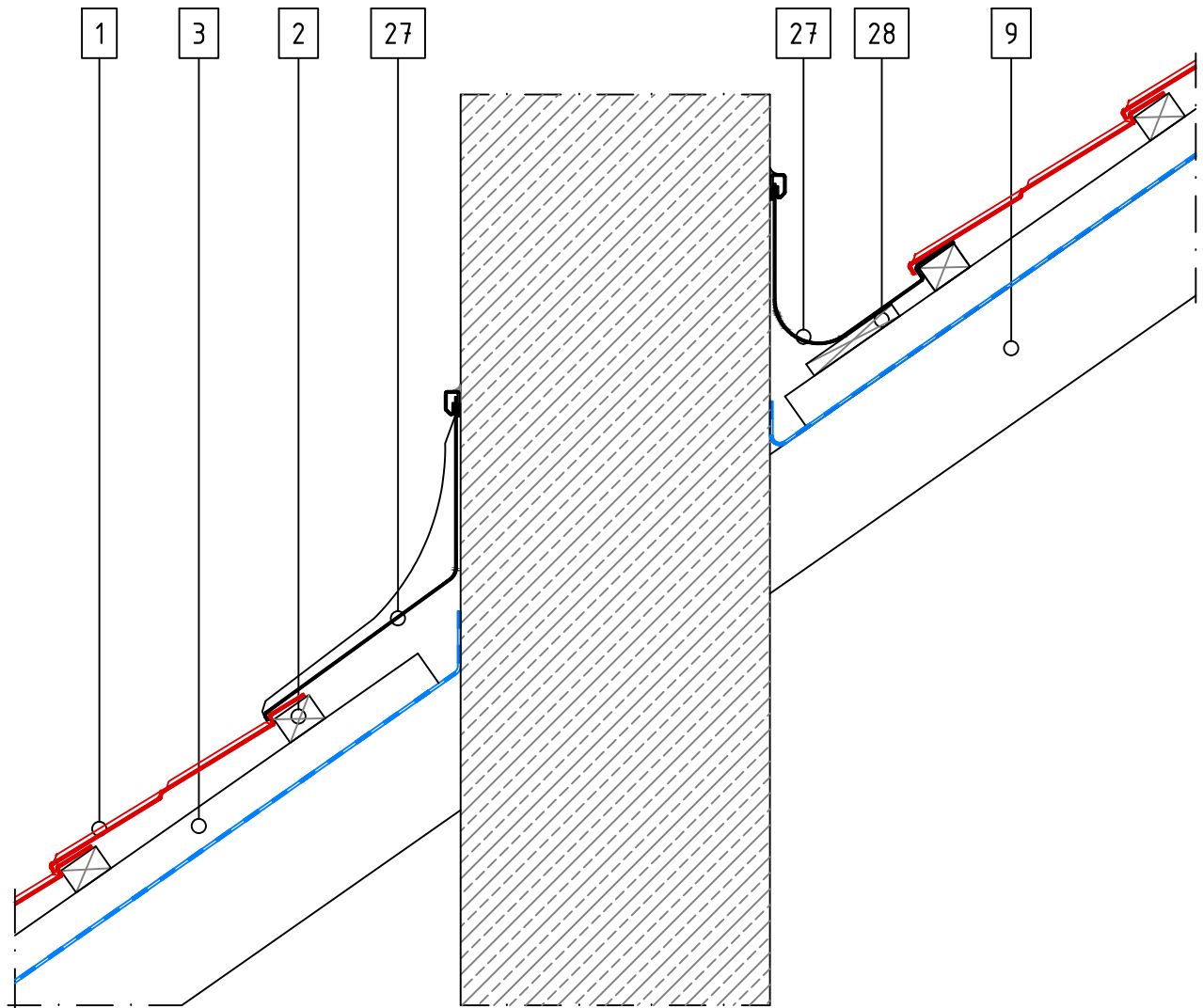


SCALE 1:5

- 1 Tile
- 2 Tile Batten
- 3 Ventilation Space Batten
- 4 Barrel
- 5 Hip Batten
- 6 Spacer
- 7 Hip Bracket
- 8 Underlay
- 9 Rafter
- 14 Ventilation Space

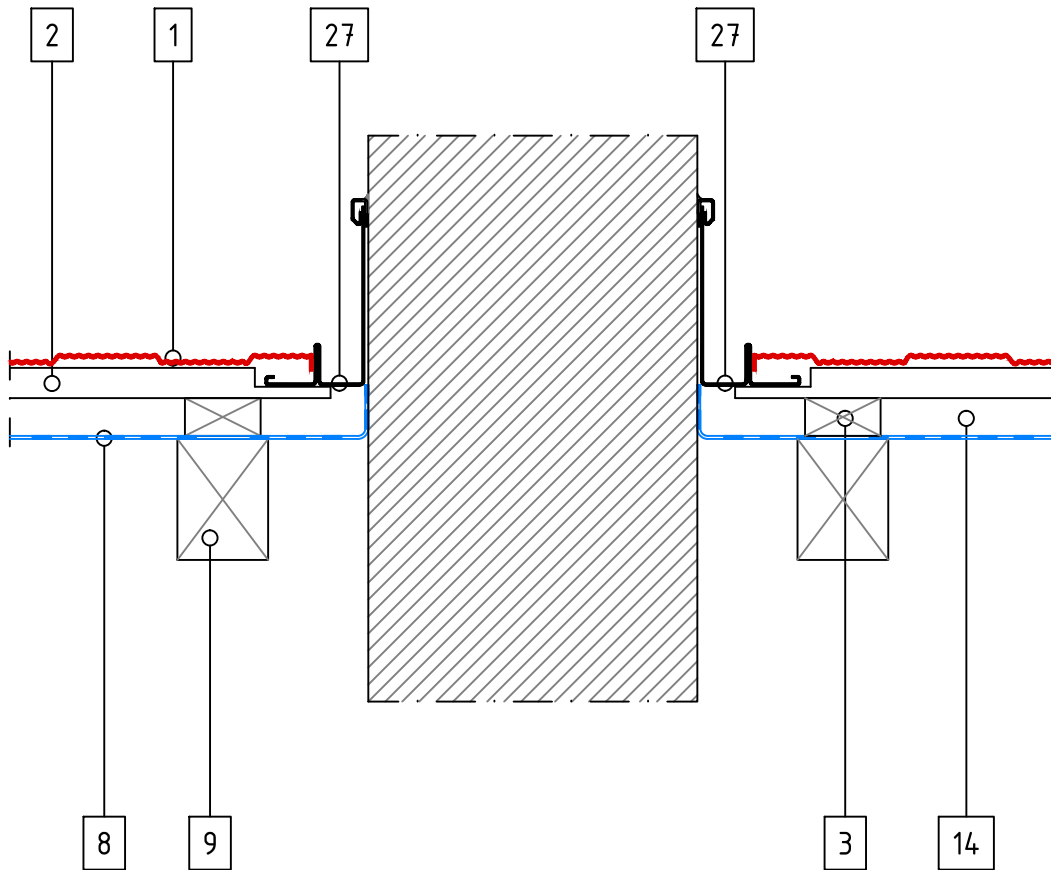
SENATOR SHINGLE TILE-Chimney Flashing L

GERARD



SCALE 1:10

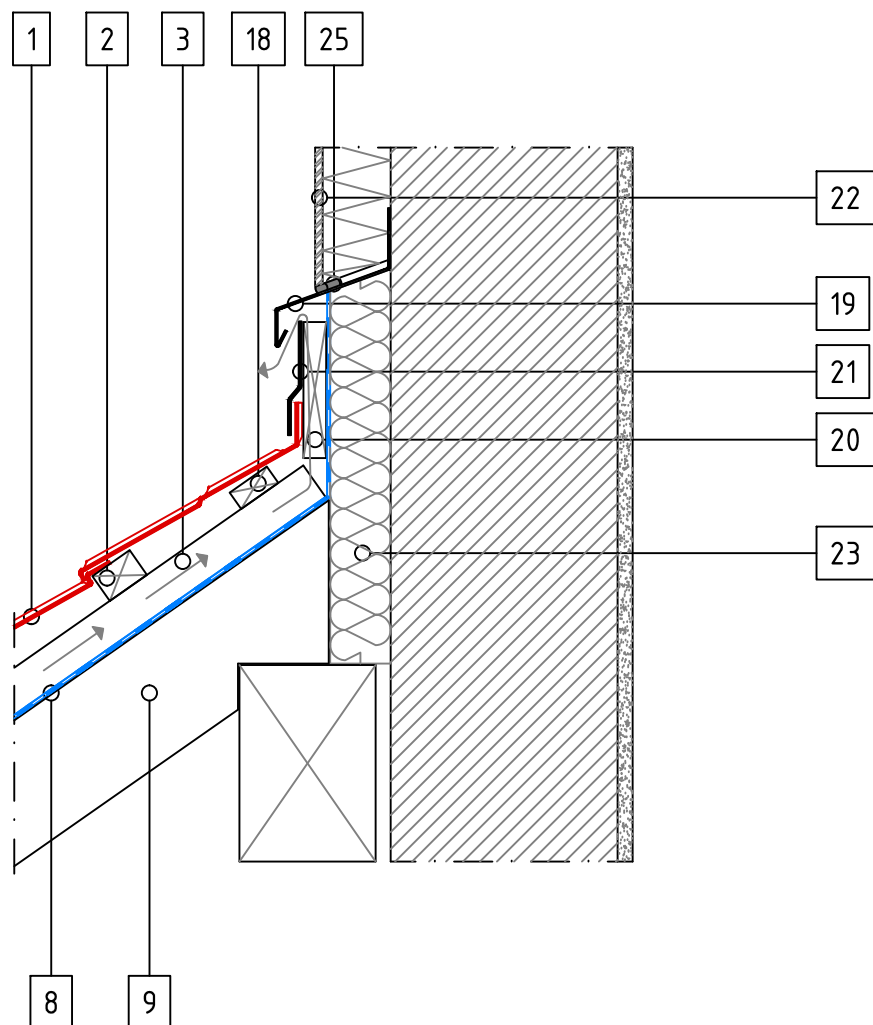
- 1 Tile
- 2 Tile Batten
- 3 Ventilation Space Batten
- 9 Rafter
- 27 Chimney Flashing
- 28 Board



SCALE 1:10

- 1 Tile
- 2 Tile Batten
- 3 Ventilation Space Batten
- 8 Underlay
- 9 Rafter
- 27 Chimney Flashing

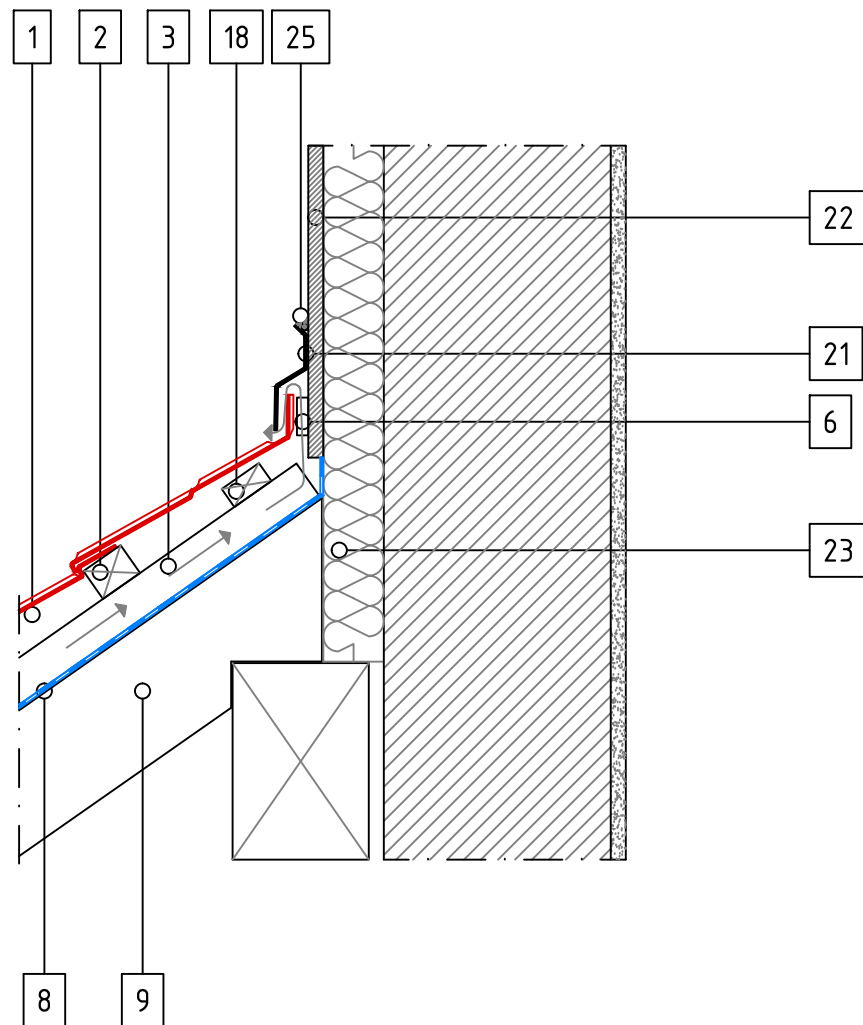
SENATOR SHINGLE TILE–Top Wall Flashing 1



SCALE 1:10

- 1 Tile
- 2 Tile Batten
- 3 Ventilation Space Batten
- 8 Underlay
- 9 Rafter
- 18 Support Batten
- 19 Top Wall Starter Flashing
- 20 Top Wall Spacer
- 21 Side Flashing
- 22 Render
- 23 Warmth Insulation
- 25 Sealant

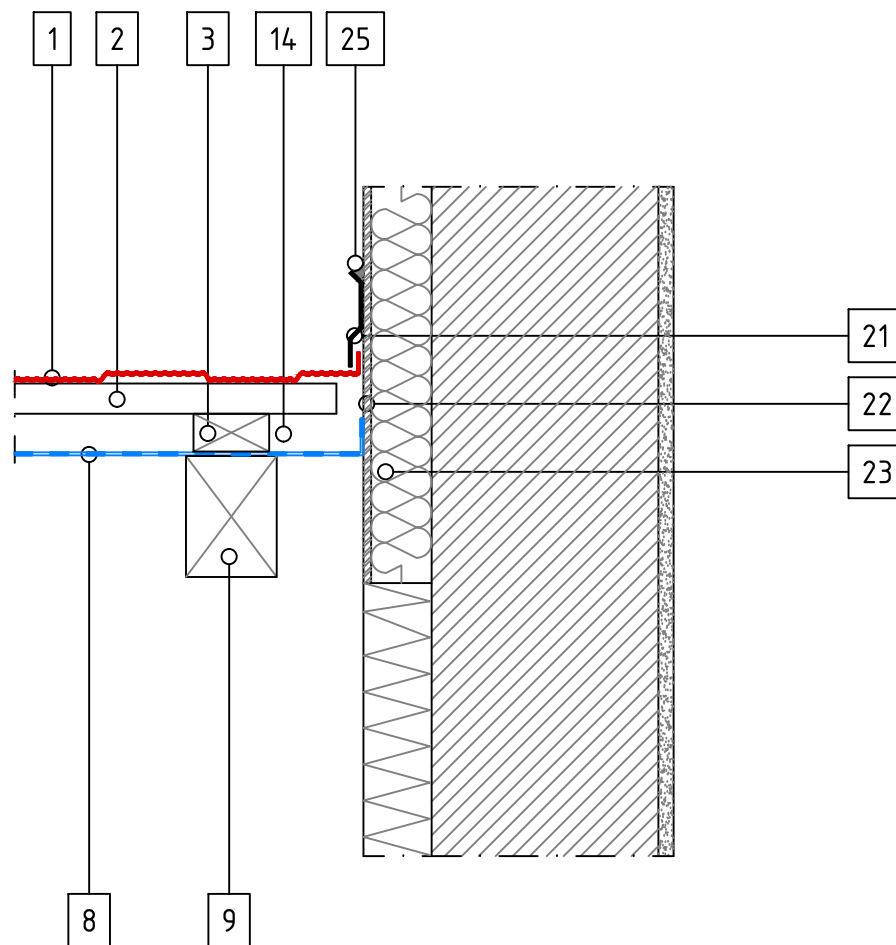
SENATOR SHINGLE TILE–Top Wall Flashing 2



SCALE 1:10

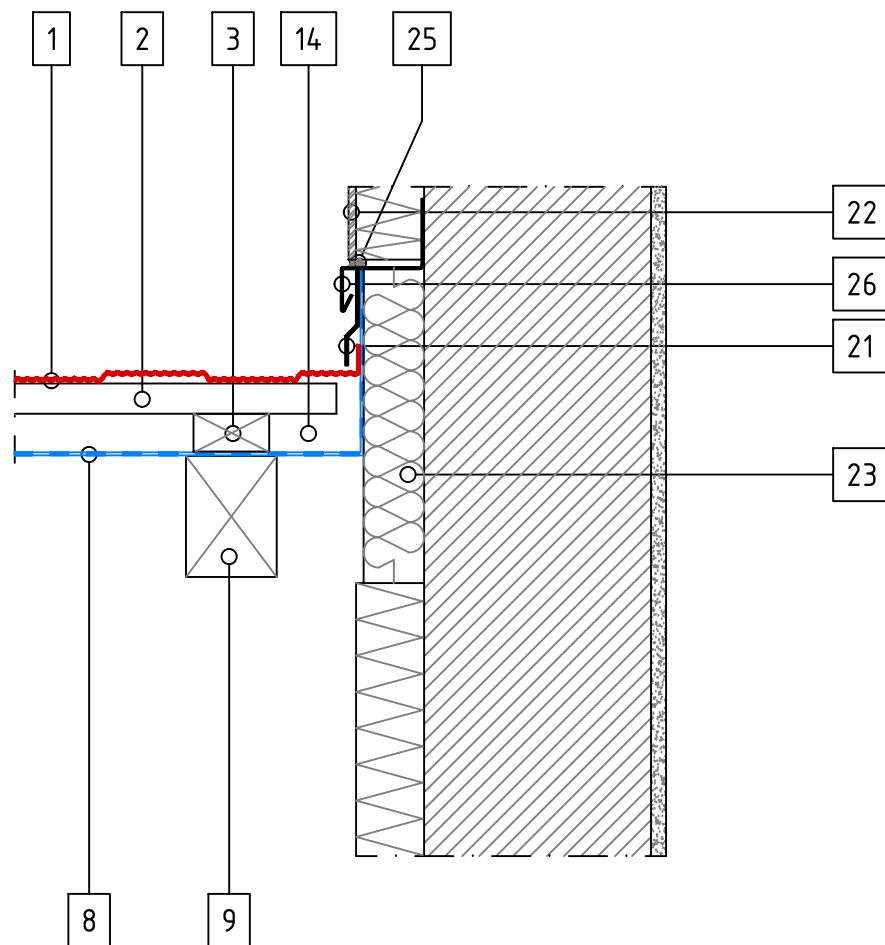
- 1 Tile
- 2 Tile Batten
- 3 Ventilation Space Batten
- 6 Spacer
- 8 Underlay
- 9 Rafter
- 18 Thinner Support Batten
- 21 Side Flashing
- 22 Render
- 23 Warmth Insulation
- 25 Sealant

SENATOR SHINGLE TILE – Wall Flashing 1



SCALE 1:10

- 1 Tile
- 2 Tile Batten
- 3 Ventilation Space Batten
- 8 Underlay
- 9 Rafter
- 14 Ventilation Space
- 21 Side Flashing
- 22 Render
- 23 Warmth Insulation
- 25 Sealant



SCALE 1:10

- 1 Tile
- 2 Tile Batten
- 3 Ventilation Space Batten
- 8 Underlay
- 9 Rafter
- 14 Ventilation Space
- 21 Side Flashing
- 22 Render
- 23 Warmth Insulation
- 25 Sealant
- 26 Side Wall Starter Flashing